

## Dorcas ANSI Mortice Electric Release Range for Aluminium Doors

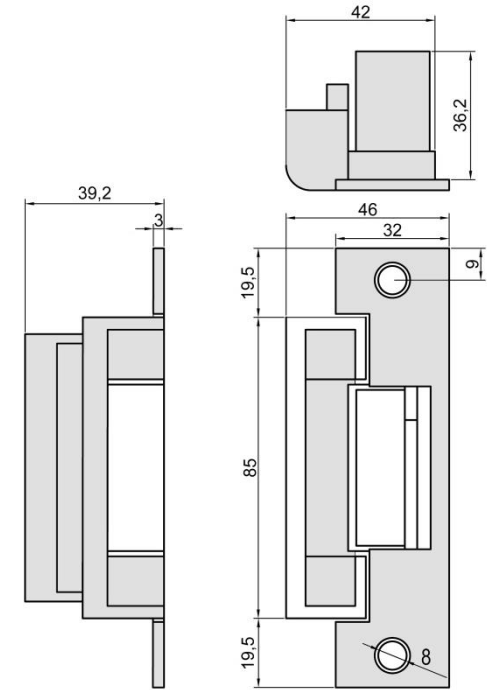


***A range of mortice ANSI Dorcas electric releases for use with 12V Access Control and Door Entry Systems on aluminium doors.***

The releases are suitable for low to medium traffic applications.

### Features & Benefits

- Fail locked & unlocked versions are available
- ANSI Mortice versions suitable for latches up to 15mm maximum throw
- Jaw strengths up to 1000lbf (205kgf)
- Operating voltage 12V AC or 12V DC
- Stainless steel/black finish
- For use on aluminium doors



Stock Code	Description	Voltage	Fail Locked/Unlocked	Suitable for Securefast Lock
ADCN47	Mortice ANSI	12V AC	Fail Locked	A5245101/2/3/4 A5245701/2/3/4
ADCN47-412	Mortice ANSI, Continuously Rated	12V DC	Fail Locked	AAR4710/1/2/3/400
ADCN47-512	Mortice ANSI, Continuously Rated	12V DC	Fail Unlocked	AAR4750/2/300