

Dorcas ANSI Mortice Electric Release Range for Aluminium Doors

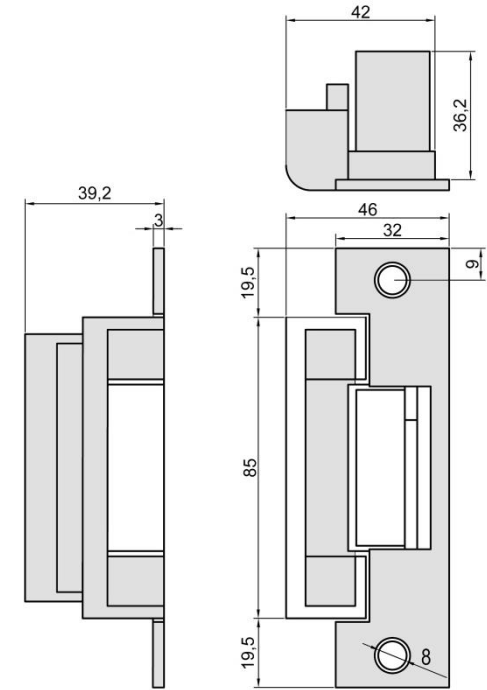


A range of mortice ANSI Dorcas electric releases for use with 12V Access Control and Door Entry Systems on aluminium doors.

The releases are suitable for low to medium traffic applications.

Features & Benefits

- Fail locked & unlocked versions are available
- ANSI Mortice versions suitable for latches up to 15mm maximum throw
- Jaw strengths up to 1000lbf (205kgf)
- Operating voltage 12V AC or 12V DC
- Stainless steel/black finish
- For use on aluminium doors



Stock Code	Description	Voltage	Fail Locked/Unlocked	Suitable for Securefast Lock
ADCN47	Mortice ANSI	12V AC	Fail Locked	A5245101/2/3/4 A5245701/2/3/4
ADCN47-412	Mortice ANSI, Continuously Rated	12V DC	Fail Locked	AAR4710/1/2/3/400
ADCN47-512	Mortice ANSI, Continuously Rated	12V DC	Fail Unlocked	AAR4750/2/300