

AEM200 Cabinet Electro-Magnetic Lock with L Bracket

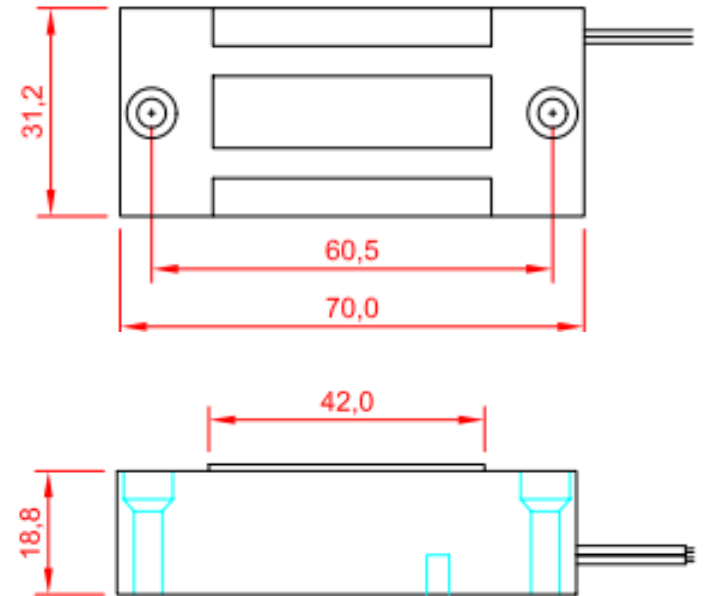


The AEM200 is a small electro-magnetic lock suitable for cupboards, cabinets and locker doors.

The electro-magnetic lock has a low holding force, low current consumption and is suitable for 12 or 24V DC operation. It is supplied complete with an L bracket and can also be used with the optional AEMBR200 Z bracket for inward opening doors.

Features & Benefits

- Magnet Size (mm) – H70 x W30 x D21mm
- Armature Size (mm) – H60 x W30 x D8mm
- Comes complete with L bracket
- Dual voltage wiring – 12V or 24V DC
- Low current draw – 140mA at 12V DC or 70mA at 24V DC
- Holding force – Up to 80lbs (36kgs)
- Optional bracket – AEMBR200 Z bracket for inward opening doors



Dimensions (Excluding L Bracket)