

# KAC Emergency Indoor Manual Call Points



***Emergency Indoor Manual Call Points can be used in a variety of applications and are available in both green or white.***

The plug and play design facilitates first fix capability and provides an easy to install solution of the highest quality and reliability – allowing emergency override of Electric Locking and Access Control systems.

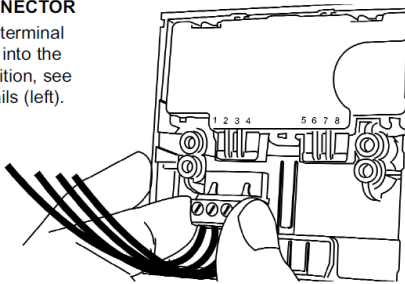
Available with either a break glass or plastic resettable panel which allows the unit to be easily re-set with the test key.

## Features & Benefits

- Easy plug and play installation
- Available in single, double and triple pole
- Available with break glass or resettable
- Simple cable access
- Available in both white and green
- All products have been rigorously tested to ensure a long life
- Tamper resistant front
- Surface Mounted
- 3-year warranty

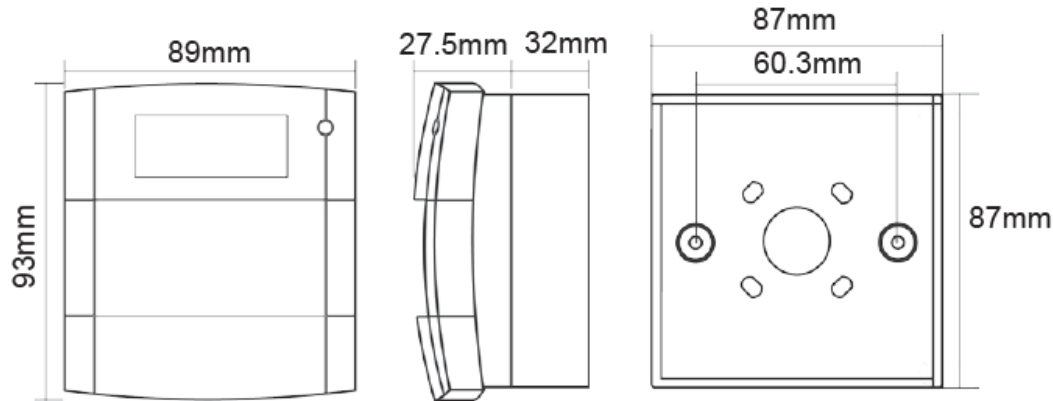
### PUSH FIT CONNECTOR

After wiring the terminal connector, plug into the appropriate position, see connection details (left).



Stock Code	Description
AKA-MCP3A-SG	Green, Break Glass Call Point (Single Pole)
AKA-MCP3A-WSG	White, Break Glass Call Point (Single Pole)
AKA-MCP4A-SG	Green, Break Glass Call Point (Double Pole)
AKA-MCP4A-WSG	White, Break Glass Call Point (Double Pole)
AKA-MCP3A-GF	Green, Resettable Call Point (Single Pole)
AKA-MCP4A-GF	Green, Resettable Call Point (Double Pole)
AKA-MCP8A-GF	Green, Resettable Call Point (Triple Pole)
AKA-MCP8A-SG	Green, Break Glass Call Point (Triple Pole)

# KAC Emergency Indoor Manual Call Points



Technical Information	
Maximum Voltage Range	30V DC
Current Rating	2 Amps @ 30V DC
Operating Temperature	-10°C to 55°C
Ingress Protection	IP24
Weight	180g
Material	PC/ABS

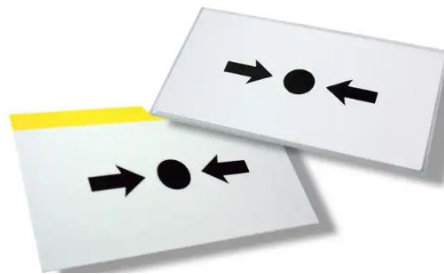
## Accessories for MCP Call Points



AKA-SC070  
Test/Maintenance  
Key (Pack 10)



AKA-PS200  
Transparent Hinged  
Cover for MCP range



AKA-KG1 Spare Glass panel (top right)  
AKA-PS210 Plastic panel (bottom left)