

EL502

For wooden or metal doors, fail locked

Bolt collapses allowing opening of door when power on

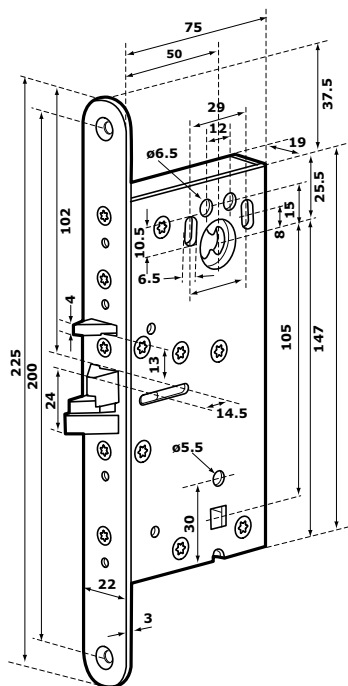
HIGH SECURITY ★★★

EL502 F/UN

For wooden or metal doors, fail unlocked

Bolt collapses allowing opening of door when power off

HIGH SECURITY ★★★

**Features**

- Double action bolt
- Bolt deadlocks when door closes
- Bolt collapses into lockcase as door is opened (push or pull)
- Key/thumbturn override at all times
- Non-handed
- Steel trigger and deadbolt
- Retrofits mechanical Scandinavian mortice locks

Monitoring

- Bolt position locked and unlocked
- NB. It is recommended that mechanical override always be used with this lockcase
- Not recommended for fire route doors, please see effeff 351 U80 (page 16)



TECHNICAL SPECIFICATION	EL502	EL502 F/UN
Operating voltage +15%, -10% ±15%	12V DC stabilised 24V DC stabilised	12V DC stabilised 24V DC stabilised
Current max 12V DC 24V DC	0.48A 0.24A	0.48A 0.24A
Temperature (°C)	-20 to +60	-20 to +60
Backset (mm) Standard	50	50
Forend finish	Polished Chrome	Polished Chrome

ACCESSORIES	EL502	EL502 F/UN
Cylinder double	CY002	CY002
Cylinder single and turn	CY016 /Plate 1	CY016 /Plate 1
Cylinder and turn	CY001	CY001
Strikes	Flat 3R, 4, 4692 EA311 or EA312	Flat 3R, 4, 4692 EA311 or EA312
Cable	EA211	EA211

NB. Unless otherwise stated all electro-mechanical lockcase cylinders will be supplied as ABLOY PROTEC