

# TECHNICAL INFORMATION

## FEATURES

**ABLOY® EL490, PE490, EL590 and PE590** motor locks offer several functional options in just one lock case. Because all the options are covered by a small number of versions, the same lock can be used in several differently functioning door environments. The following mechanical and electromechanical functions can be set at the installation phase:

- handing of the bolt
- handing of the trigger bolt (EL590, PE590)
- bolt throw: 14 or 20 mm (EL590)
- handle function: mechanical or electrically controlled (EL490, EL590)
- opening delay 1-20 sec.

## MONITORING

The lock includes the following monitoring outputs:

- bolt deadlocked
- handle down
- cylinder monitoring (available as an accessory)

The monitoring output for door automatics:

- bolt in

The monitoring outputs are not available during power failure.

## TECHNICAL DETAILS

Operating voltage:	12 (10%) - 24 (+15%) VDC STAB
Current:	
• Max	1700 mA (12 VDC) 700 mA (24 VDC)
• Normal (seal force 50N)	600 mA (12 VDC) 250 mA (24 VDC)
• Idle	50 mA (12 VDC) 25 mA (24 VDC)
Relays:	Max. 30V, 100 mA
Operating temperature:	-20...+60°C
Bolt throw:	14 mm/20 mm (EL590) 14 mm (EL490, PE490, PE590)
Backset:	50 mm (EL590, PE590) 29 mm/35 mm (EL490, PE490)
Forend:	22 mm (EL590, PE590) 25 mm (EL490, PE490)
Spindle:	8 mm
Door clearance:	2 - 5,5 mm (the distance between forend and striker plate)
Finish:	Chrome plated forend
Cylinder monitoring:	Switch 950885 (EL590, PE590) Switch 950886 (EL490, PE490)

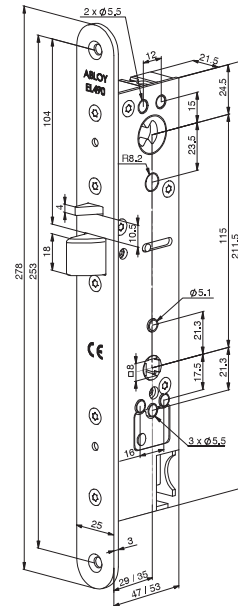
## DELIVERY

Standard delivery includes:

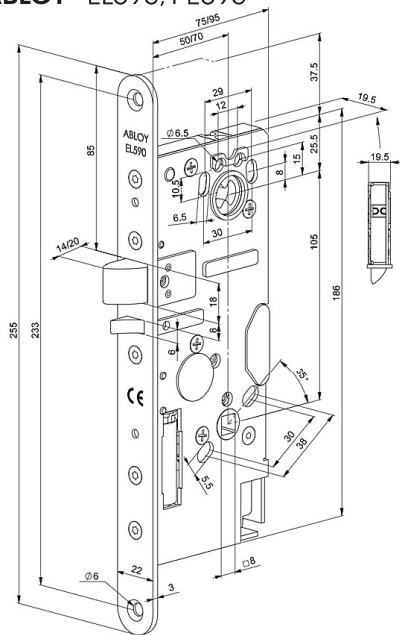
- Lock case, handing 2,4
- Fixing screws etc.
- Lock case manual

## DIMENSIONS

**ABLOY® EL490, PE490**



**ABLOY® EL590, PE590**



## CYLINDERS AND ACCESSORIES (Please order separately)

		SCANDINAVIAN CYLINDERS	EXIT DEVICES	STRIKE PLATES	CABLES	LEAD COVERS
		<b>ABLOY® PROTEC</b>				
<b>EL590</b>	<b>Single</b>	CY021N (inside) CY037N (outside)	Handle (EN 179): e.g. <b>ABLOY® PRESTO 3-20/030*</b>	LP712 LP722 LP732	EA217 (6m) EA227 (10m) EA228 (0,5m) 18x0,14mm <sup>2</sup>	EA280 EA281
	<b>Double</b>	CY002N	Push pad (EN 179): <b>ABLOY® PPE002</b>			
<b>PE590</b>	<b>Single</b>	CY037N	Panic Bar (EN 1125): <b>ABLOY® PBE002</b>			
<b>EL490</b>	<b>Single</b>	CY068N (inside) CY047N (outside)	Handle (EN 179): e.g. <b>ABLOY® PRESTO 3-20/0630*</b>	EA307 EA308 4613 4614		
	<b>Double</b>	CY067N	Push pad (EN 179): <b>ABLOY® PPE003</b>			
	<b>Single Thumbturn</b>	CY047N (outside) CH014 (inside)				
<b>PE490</b>	<b>Single</b>	CY047N	Panic Bar (EN 1125): <b>ABLOY® PBE003</b>			

\*) For further information, please contact Abloy Oy Tampere factory