

TB25 Drop Bolt

General Information

The TB25 drop bolt represent true engineering innovation, design excellence and the superior quality customers have come to expect and demand from Trimec. Designed for use on swing-through, double action doors, these drop bolts are ideal for applications where an electric strike is impractical.

Features


- High Security. Bolt is deadlocked in the extended position
- Bolt position monitored
- Door position monitor with integrated magnet into the strike plate (no need to install a separate reed switch)
- Multiple Orientation, drop bolts will work horizontally or vertically
- Power to Lock/ Power to Open
- Continuously Rated Solenoid
- Tamper Proof. Lock cannot be defeated by slipping a metal object between lock and striker plate
- Intelligent Electronics. These intelligent bolts will attempt to re-close the bolt 8 times, allowing time for swing through doors to settle in the closed position
- Thermal Protection. In the event of solenoid overheat, a thermal fuse will operate, eliminating any fire risk

Applications

- Glass doors
- Timber doors



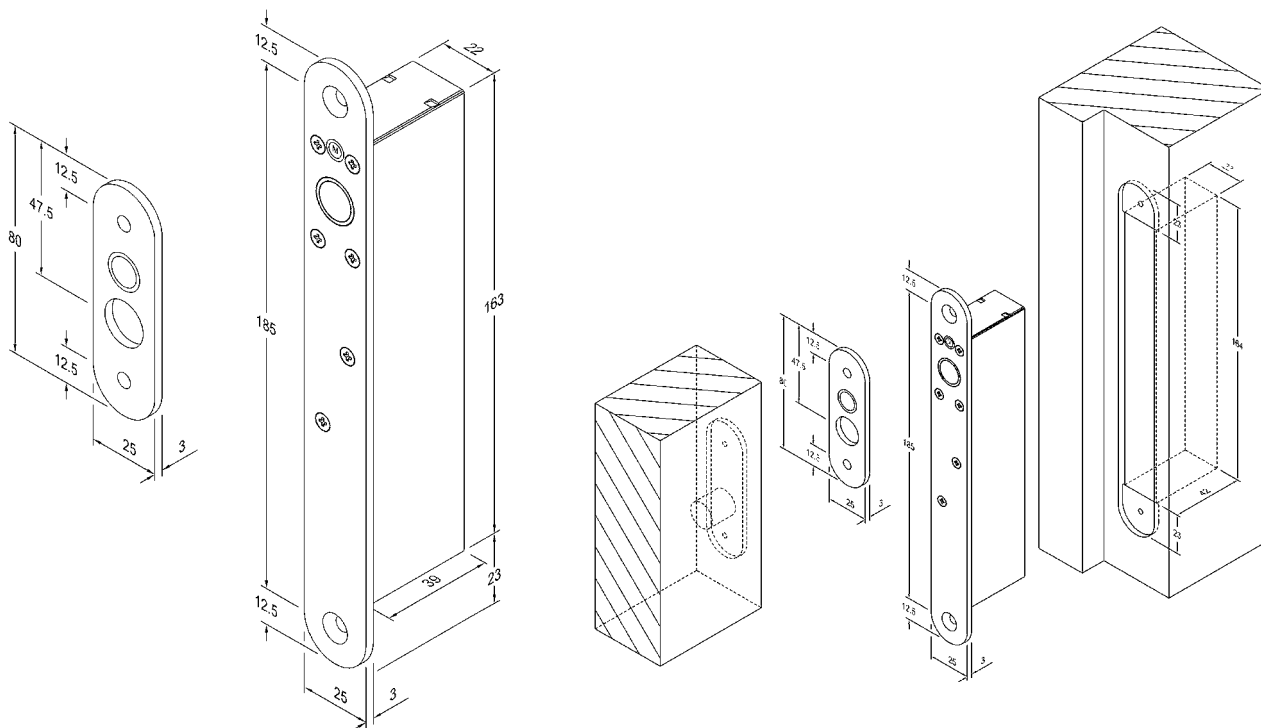
Standards and Compliance

 British Standard BSEN 50081-1
BSEN 50082-1

 CE Approved

 C-tick Certified

TB25 Drop Bolt



TB25 Drop Bolt Technical Information

Voltage	12 to 24Vdc
Current (Start)	1100mA @ 12Vdc, 1000mA @ 24Vdc
Current (Holding)	210mA @ 12Vdc, 90mA @ 24Vdc
Holding Force	1000kg
Locking Mode	PTL & PTO
Dimensions (Mortice)	164 x 22mm
Bolt Length	12.7 x 16mm
Faceplate Size	10 x 25mm
Monitoring Contacts	Bolt & Door

Specification Statement

The bolt must be able to operate in horizontal and vertical orientations. The position of the bolt must be monitored as well as have an integrated reed switch for door position monitoring. The electronic functions must include: 8 x lock and unlock attempts, 8 second unlock delay, automatic relock after 8 seconds, power reduction circuitry to limit the holding current, and a one time thermal fuse cut-out in case of solenoid overheating. Locking function can be converted from Power to Lock (PTL) to Power to Open (PTO). The faceplate and strike plate must be finished in stainless steel.

Ordering Information

Product Description	Part Number
TB25 12-24VDC Fail Safe - Dropbolt	118251-000
TB25 12-24VDC Fail Secure - Dropbolt	118252-000
Accessories	
EB25 SS Short strike plate RH	228250-000
EB25 SS Long strike plate RH	228250-002
EB25 SS Housing	228250-003