

ES2100 Series Monitored Electric Strike



General Description

The ES2100 is the latest product to join the iconic Trimec range of electric strikes. Tested in accordance with Australian standards this strike offers superior strength, and is durability tested to 1.5 million operations.

Standard features include variable voltage, patented field selectable fail safe/fail secure mode change and a unique integrated door position switch.

Integrated Door Position Switch

The ES2100 now offers a unique new monitoring feature not available in other strikes on the market today. The strike has an integrated reed switch that when combined with a specialised Lockwood mortice lock, provides door position monitoring. The strike is supplied with a standard door magnet for use with cylindrical latches. Lockwood mortice locks and face plate accessories are sold separately.

Key Features

- Patented field selectable fail safe/fail secure
- Multi voltage 10–30Vdc
- Fully monitored:
 - Integrated door position (reed) switch
 - Solenoid/Locked
 - Latch position

- 1000kg holding force
- 4hr fire rating
- Mounting tabs as supplied standard
- **TRIGARE**® 5 Year Warranty

Applications

- High traffic areas
- Fire rated door sets
- Open in/open out doors
- Suitable for use with all access control systems
- Doors requiring additional door position monitoring

Standards and Compliance

SL8 (Security) Australian Lock Standard (AS4145.2.2008)

D8 (Durability) Australian Lock Standard (AS4145.2.2008)



Successfully fire rated up to 4hrs on fire door assemblies in accordance with AS1905.1. 2005



CE Approved

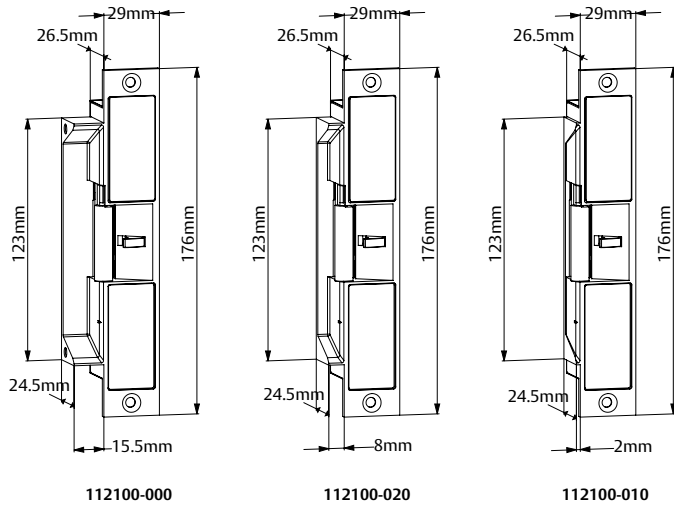


C-Tick Certified

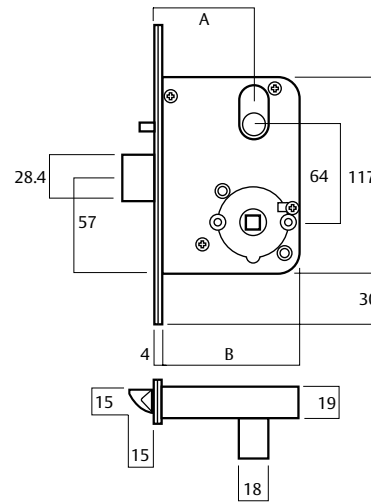
SCEC Approved for Security Level 3

IP 54 Rated

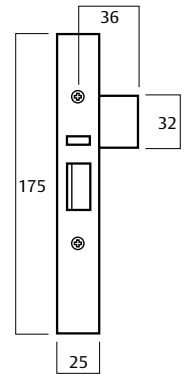
ES2100 Series Monitored Electric Strike



ES2100 Electric Strike



3570 Series Mortice Lock



Magnet Faceplate

ES2100 Technical Information

Voltage	Variable 10–30Vdc
Current	200mA @ 12Vdc – 120mA @ 24Vdc
Solenoids	Rated for continuous use
Monitoring	Latch Strike locked Door position (reed switch)
Holding force	1000kg static strength rating
Endurance	Cycle tested to 1.5 million operations
Latch	Suitable for 15mm latch bolt with 3mm door gap
Body	Stainless Steel
Keeper	Stainless Steel
Environment	Operational temperature range -20°C to +60°C

STD Backset Extended Backset

Dimension A	60	127
Dimension B	84	151

Specification Statement

The strike should be constructed of solid stainless steel, have a minimum holding force of 1000kg and an endurance rating of 1.5 million cycles. Monitoring must include independent latch and solenoid monitoring. The strike shall have an integrated reed switch for door position monitoring and used in conjunction with Lockwood 3572MAGSC mortice lock or tubular latch with door magnet. Certifications must include CE, C-tick and 4 hr fire rating.

Ordering Information

Product Description	Part Number
ES2100 Multifunction Strike 10-30Vdc Standard Lip with Extension Lip Holes	112100-000
ES2100 Multifunction strike 10-30Vdc No Lip	112100-010
ES2100 Multifunction strike 10-30Vdc 8mm Lip	112100-020

Accessories

Product Description	Part Number
Lockwood 3572 Series Primary lock with magnet face plate	3572MAGSC
Magnet face plate – suits Lockwood 3570 series mortice lock	SP3570-2100SSS
Mounting Kit	220200-519
13mm Rebate Plate	210100-541
25mm Extension Lip (40.5mm total)	220200-505
50mm Extension Lip (65.5mm total)	220200-506
75mm Extension Lip (90.5mm total)	220200-507

Ordering Notes:

When using integrated door position switch monitoring:

- Electric strikes are supplied with door magnet for cylindrical locksets only.
- Lockwood Mortice Locks and face plates are sold separately.
- All strikes are factory set to fail safe (PTL) configuration. Lock mode is easily set, post purchase, to fail secure (PTO) configuration, if required