

Deedlock Electro-Magnetic Hold Open Magnets

The Deedlock Electro-magnetic Hold Open Magnets are designed to be used in conjunction with any suitable fire alarm system. They can hold open fire doors in most environments, particularly where the Disability Discrimination Act has to be considered.

The range is surface mounted in either a plastic or a metal housing, fitted with an integral release button and supplied complete with an adjustable keeper plate and instructions.

The AEM0351, AEM0352, AEM0362 & AEM0363 magnets can also be floor mounted using the AEMS003 floor mounting bracket.

Features & Benefits

- UK manufactured
- Approved to BS EN1155:1997 + A1:2003 and CE Marked by an independent test house
- Integral part of any fire alarm system
- 24v DC or 230v AC supply voltage
- 200N Holding force
- IP51 Rating
- Spring loaded pin to give zero residual force
- Adjustable Keeper Plate and instructions included
- High quality cost effective package
- Metal enclosures offer a robust construction
- Easily Mountable
- AEM0362 & AEM0363 may be flush mounted into a deep single gang back box (not supplied)
- The 230v AC units includes a filter for EMC emissions, internal diodes dissipate any “back EMF” on switch-off, reducing wear at the control unit.

CEN Standard	Classification Code					
BS EN1155:1997+ A1:2003	3	5	6 3	1	1	3



AEM0351 on bracket



AEM0351



AEM0363



Bracket for Hold Open Magnets

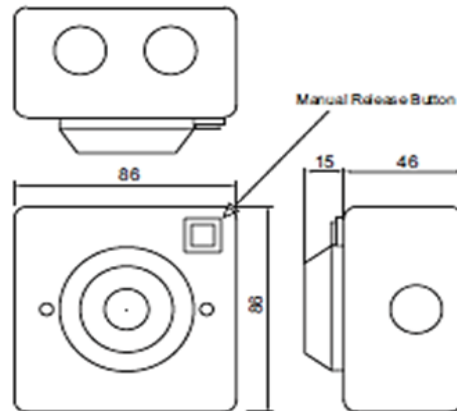
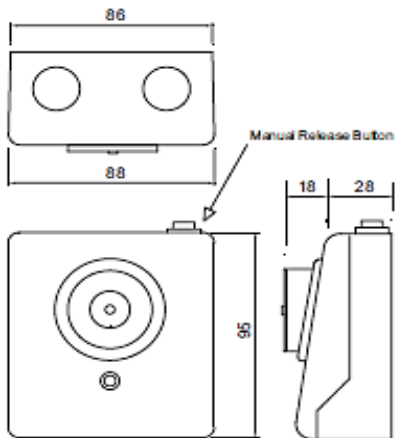


Applications:

The range is ideal for use in public access areas including hospitals, cinemas, airports, offices, hotels and residential homes.

Deedlock Electro-Magnetic Hold Open Magnets

Code	AEM0351	AEM0352	AEM0362	AEM0363	AEMS003
Door Holder Housing Size (mm)	H95 x W87 x D46	H95 x W87 x D46	H86 x W86 x D61	H86 x W86 x D61	H110 x W100 x D5
Door Holder Magnetic Surface Size	Dia 38mm	Dia 38mm	Dia 38mm	Dia 38mm	-
Keeper Size (mm)	H69 x W69 x D45	H69 x W69 x D45	H69 x W69 x D45	H69 x W69 x D45	-
Keeper Magnet Size	Dia 46mm	Dia 46mm	Dia 46mm	Dia 46mm	-
Ambient Temperature	0-40°C	0-40°C	0-35°C	0-35°C	-
Current	50mA	12mA	50mA	12mA	-
Voltage	24v DC	230v AC	24v DC	230v AC	-
Weight of Door Holder	0.545	0.545	0.307	0.307	-
Weight of Keeper	0.128	0.128	0.128	0.128	-
Casing	White Fire Resistant ABS		Painted White Metal		Painted White Metal



Technical Note:

For linking the electromagnetic hold open magnets into a fire alarm system they must be used with auxiliary relay and a separate power supply unit.

