

Elettrika

The range



Technical features

- Protective steel casing
- Rotary hook dead-bolt in extruded aluminium
- Metal striker with STAINLESS steel “swinging rod”
- Coated internal components
- Power supply: 12V a.c. CE
- Absorbed current: 3A

Operation

- From outside with a key
- From inside with a push-button or a key plus electric remote control

Supplied as standard

- Striker
- Single or double cylinder
- Fixing screws
- Fixing plates (if required)
- 2 spacers for the striker
- Instruction sheet
- 3 keys item 1.01070.10.1

Hand

- Non handed

Finishes

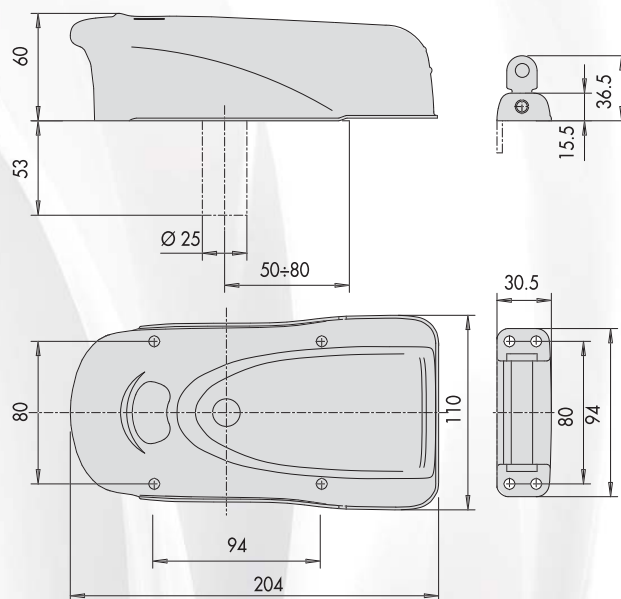
- Zinc coated epoxy powder paint in grey

Standards

- Certified to EN 14846:08: Grade 6 Security (2,000 Kg lateral force)

Optional accessories

- BOOSTER PLUS item 1.07022.10.0
- BOOSTER item 1.07022.00.0
- COIL for BTicino systems item 1.07025.10.0
- MICROSWITCH item 1.07023.00.0
- Protective casing for external cylinder item 1.07056.00.0
- Spacers for striker item 1.07021.01
- Spacers for long lipped striker item 1.07021.11.0
- Indicator light kit item 1.07126.01.0



TYPE	DESCRIPTION	CYLINDER	BACKSET	kg	NO. PIECES	ITEM								
				UNIT WEIGHT		Type	Dim.	Hand	Fin.	Pers.				
	VERSION FOR STEEL DOORS/GATES <ul style="list-style-type: none"> Back plate for lock and striker, to be welded Finish 79 – zinc-plating BTicino coil Booster Booster Plus	 Item 10G150 00 0	50+80	2,800	1	1 1A721	00	0						
			50+80	2,800	1	1 1A721	00	0	79					
			50+80	2,800	1	1 1A721	00	0	00	PA				
			50+80	2,800	1	1 1A721	00	0	00	PB				
			50+80	2,800	1	1 1A721	00	0	00	PC				
	VERSION FOR STEEL DOORS/GATES <ul style="list-style-type: none"> Back plate for lock and striker, to be welded Inside push-button Hold-open device Finish 79 – zinc-coating With BTicino coil With Booster With Booster Plus	 Item 10G150 00 0	50+80	2,800	1	1 1A731	00	0						
			50+80	2,800	1	1 1A731	00	0	79					
			50+80	2,800	1	1 1A731	00	0	00	PA				
			50+80	2,800	1	1 1A731	00	0	00	PB				
			50+80	2,800	1	1 1A731	00	0	00	PC				
	VERSION FOR STEEL DOORS/GATES <ul style="list-style-type: none"> Inside push-button 		50+80	2,800	1	1 1A611	00	0	00	DF				
			VERSION FOR WOODEN DOORS <ul style="list-style-type: none"> Inside push-button With Booster Plus	 Item 10G500 00 0	50+80	2,350	1	1 1A610	00	0				
					50+80	2,350	1	1 1A610	00	0	00	PC		
					VERSION FOR WOODEN DOORS <ul style="list-style-type: none"> Inside push-button Brass escutcheon With Booster Plus	 Item 10G200 55 0	50+80	2,350	1	1 1A611	00	0		
							50+80	2,350	1	1 1A611	00	0	00	PC
	VERSION FOR WOODEN DOORS <ul style="list-style-type: none"> Inside push-button Hold-open device 	 Item 10G115 00 0	50+80	2,800	1	1 1A630	00	0						
			VERSION FOR WOODEN DOORS <ul style="list-style-type: none"> Inside push-button Hold-open device Brass escutcheon 	 Item 10G150 00 0	50+80	2,800	1	1 1A631	00	0				

