

EL580

For wooden or metal doors, with deadlocked latchbolt, fail locked/fail unlocked

Bolt position and handle operation

Outside handle controlled

Request to exit (RQE)

Selection of controlled follower side

HIGH SECURITY ★★★★★

EL582

For wooden or metal doors, with deadlocked latchbolt, fail locked/fail unlocked

Bolt position and handle operation

Both handles controlled

HIGH SECURITY ★★★★★

PE580

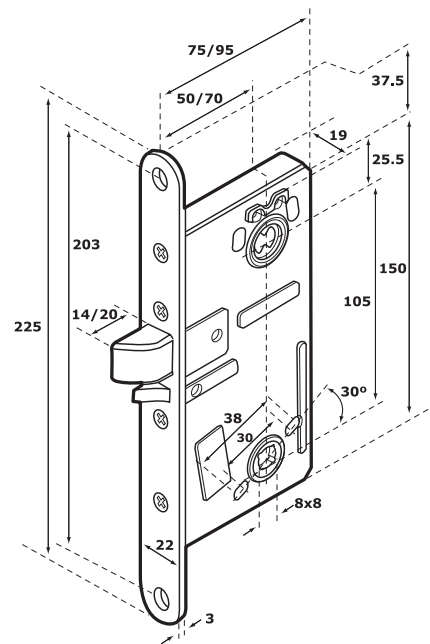
For wooden or metal doors, with deadlocked latchbolt, fail locked/fail unlocked

Outside handle controlled

Bolt position and handle operation

For use with PBE-001 for EN1125 exit solution

HIGH SECURITY ★★★★★

**Features**

- Easily reversible trigger bolt and deadbolt, suitable for all hands of door
- Quick change fail locked to fail unlocked
- Selectable 14mm or 20mm deadbolt throw (PE580: 14mm only)
- Automatic deadlocking of deadbolt only when door shuts

- Meeting EN179 and EN1125 for emergency and panic exit doors and EN1634-1 for fire resistance (inside handle can be operated at all times (EL580 and PE580 only))
- Retrofits mechanical Scandinavian mortice locks



TECHNICAL SPECIFICATION	EL580	EL582	PE580
Operating voltage +15%, -10%	12V DC to 24V DC stabilised	12V DC to 24V DC stabilised	12V DC to 24V DC stabilised
Current max			
Idle	120mA	120mA	120mA
Norm	—	—	—
Max	350mA	350mA	350mA
Temperature (°C)	-20 to +60	-20 to +60	-20 to +60
Backset (mm)			
Standard	50 and 70	50 and 70	50 and 70
Special	—	—	—
Follower (mm)	8	8	8
Forend finish	Polished Chrome	Polished Chrome	Polished Chrome

ACCESSORIES	EL580	EL582	PE580
Cylinder double	—	CY002	—
Cylinder single	CY037	—	CY037
Cylinder and turn	—	CY001	—
Strike (included)	LP712	LP712	LP712
Handles (Futura)	60-0519-PSS* 60-0619-PSS** 6/007 (double)	60-0619-PSS 6/007 (double)	60-0519-PSS* 60-0619-PSS** 6/007 (double)
(Primo)			
Cable	EA210	EA210	EA210
Rebate set	Reb 7 or 8	Reb 7 or 8	Reb 7 or 8

NB. Unless otherwise stated all electro-mechanical lockcase cylinders will be supplied as ABLOY PROTEC

* For lockcases supplied from October 2006

** For lockcases supplied before October 2006

PSS: Polished stainless steel.

For handles please see pages 24-27.

EN1125 solution	PE580
Panic bar	PBE-001

New Product

