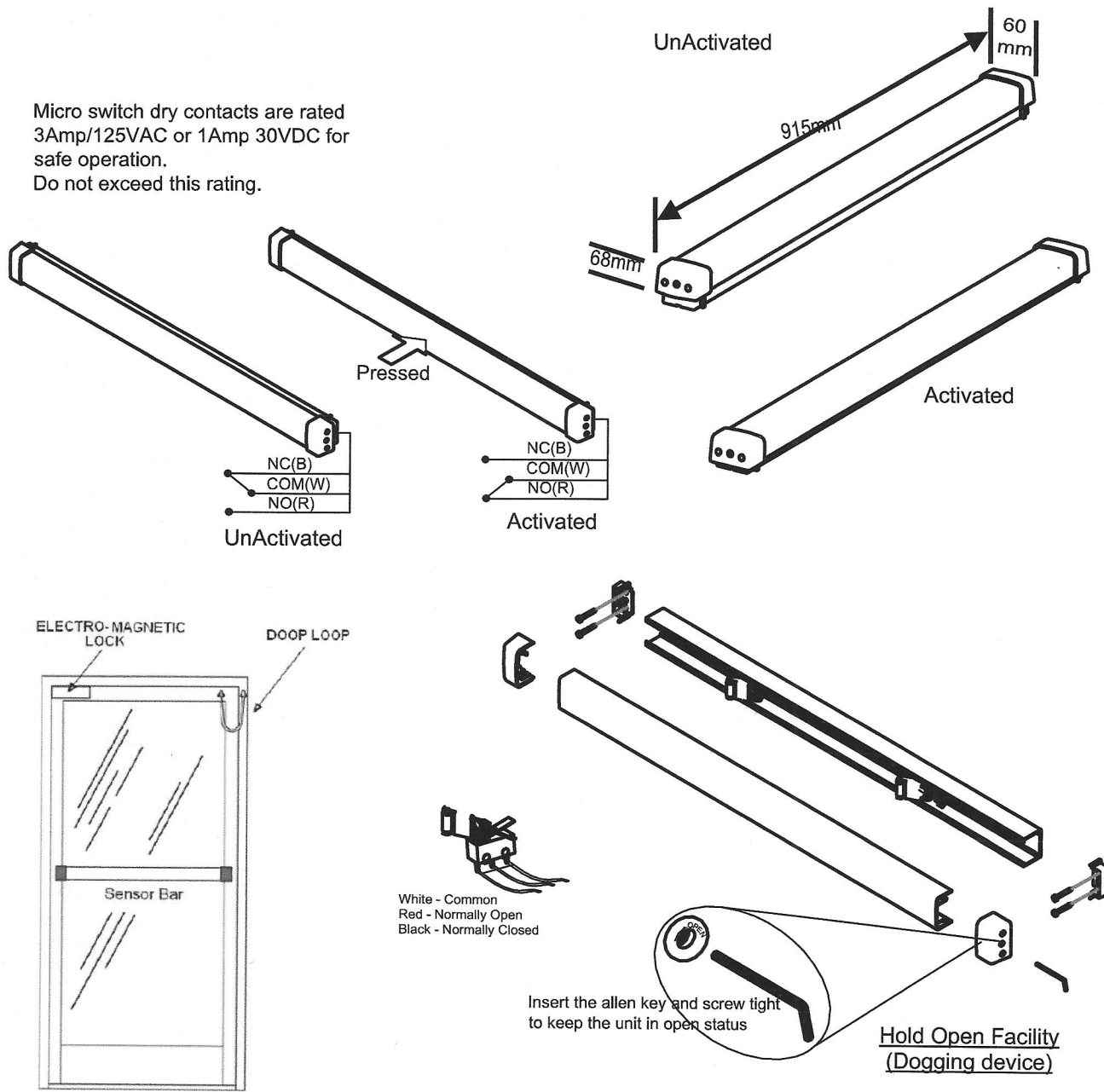


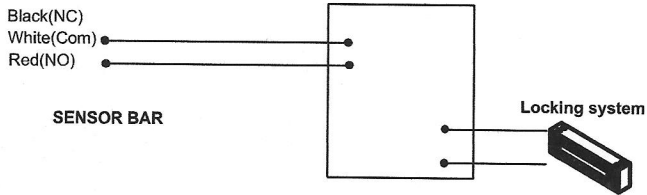
AEB800 Microswitched Pushbar Instructions

Micro switch dry contacts are rated 3Amp/125VAC or 1Amp 30VDC for safe operation.
Do not exceed this rating.



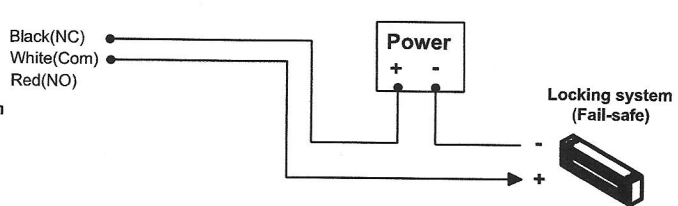
A

ACCESS CONTROL UNIT



A. Applied with Access Control system.
Press the Sensor bar to activate the access control unit to open.

B



B. Applied to fail safe locking system, to activate it.
When applied to non-fail safe IOcKing system, connect to red wire (NO).