

EL590

For wooden or metal doors with latch bolt

Fail locked outside

Free egress from inside when handle fitted

HIGH SECURITY ★★★★★

PE590

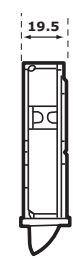
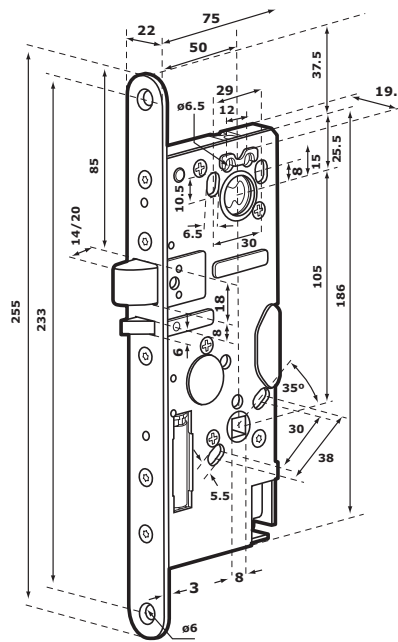
For wooden or metal doors with latch bolt

Fail locked outside

Free egress from inside when handle fitted

Meets EN1125 when used with PBE-002 panic bar

HIGH SECURITY ★★★★★



Features

- Easily reversible dead bolt and trigger bolt
- Deadbolt throw can be configured to 14 or 20mm (PE590: 14mm only)
- Inside handle operates at all times or can be controlled electrically in two way access controlled doors (electrically controlled handle won't meet EN179 or EN1125)

- Meets EN179 and EN1125 for emergency and panic exits and EN1634-1 for fire resistance doors (when inside handle can be operated at all times and installed with suitable hardware)
- Tested to mechanical resistance standard EN12209
- Tested to draft standards prEN14846
- Retrofits mechanical Scandinavian mortice locks

Monitoring

- Bolt position, handle operation and request to exit (RQE).
- For cylinder indication additional component required 950885.



TECHNICAL SPECIFICATION	EL590	PE590
Operating voltage ±15%	12V DC to 24V DC stabilised	12V DC to 24V DC stabilised
Current max 12V		
Idle	50mA	50mA
Normal	600mA (with 50N seal force)	600mA (with 50N seal force)
Max	1700mA	1700mA
24V		
Idle	23mA	23mA
Normal	250mA (with 50N seal force)	250mA (with 50N seal force)
Max	700mA	700mA
Temperature (°C)	-20 to +60	-20 to +60
Adjustable delay (secs)	1-20q	1-20
Backset (mm)		
Standard	29	29
Special	35	35
Forend standard	25	25
Spindle	8	8

ACCESSORIES	EL590	PE590
Cylinder single	CY037	CY037
Cylinder double	CY002	CY002
Strike	LP712/LP732/LP722	LP712/LP732/LP722
Handles (Presto)	3-20/030	3-20/030
Cable	EA217 (6M included) EA227 (10M)	EA217 (6M included) EA227 (10M)
Rebate set	REB9 or 10	REB9 or 10

NB. Unless otherwise stated all electro-mechanical lockcase cylinders will be supplied as ABLOY PROTEC. For handles please see pages 24-27.

EN1125 SOLUTION	PE590
Panic bar	PBE-002

