

Drop Bolts

TB25KO

Drop Bolt

Application:

The TB25KO range of drop bolts represent true engineering innovation, design excellence and the superior quality customers have come to expect and demand from Trimec®. Designed for use on swing-through, double action doors, these drop bolts are ideal for applications where an electric strike is impractical. The TB25KO offer a unique mechanical override with an integrated euro profile cylinder for PTO applications.

Specification:

- High Security. Bolt is deadlocked in the extended position
- Mechanical key override in the event of power failure. (Euro Profile Cylinder)
- Bolt position monitored
- Door position monitor with integrated magnet into the strike plate (no need to install a separate reed switch)
- Multiple orientation, drop bolts will work horizontally or vertically
- Power to open only
- Continuously Rated Solenoid
- Tamper Proof. Lock cannot be defeated by slipping a metal object between lock and striker plate
- Intelligent Electronics. These intelligent bolts will attempt to re-close the bolt 8 times, allowing time for swing through doors to settle in the closed position
- Thermal Protection. In the event of solenoid overheat, a thermal fuse will operate, eliminating any fire risk
- CE marked to EMC Directive

Finish:

- Glass doors
- Timber Doors

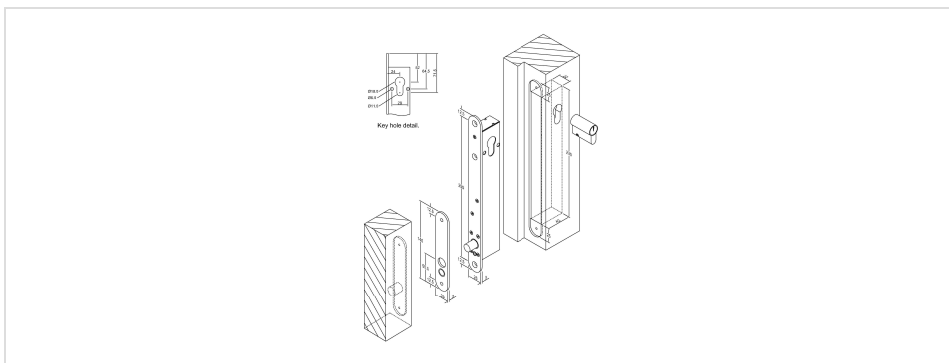


Standards:

Voltage	12 or 24Vdc
Current (Start)	1100mA @ 12V, 1000mA @ 24V
Current (Holding)	210mA @ 12V, 90mA @ 24V
Holding Force	1000kg
Locking Mode	PTO ONLY
Dimensions (Mortice)	164 x 22mm
Bolt Length	12.7 x 16mm
Faceplate Size	10 x 25mm
Monitoring Contacts	Bolt & Door



Technical Design:



Variants:

Code	Description
188252-510	TRIMEC TB25KOSQ PTO DROPBOLT
188251-510	TRIMEC TB25KOSQ PTL DROPBOLT