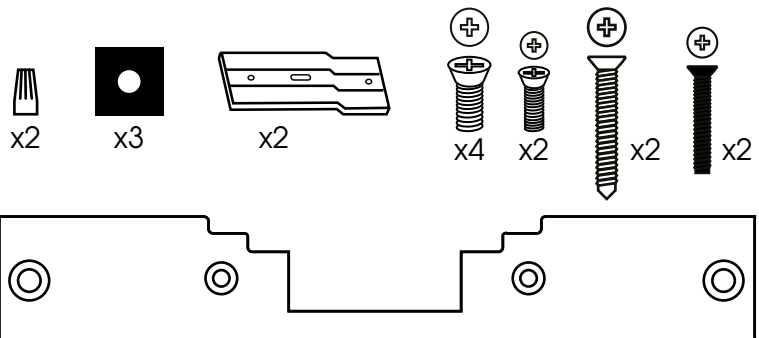
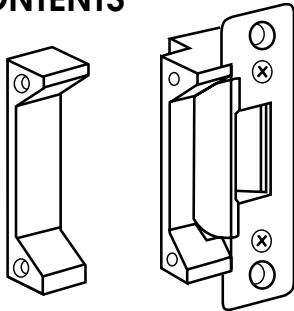


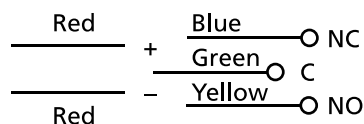
Read all instructions before starting installation

PACK CONTENTS



Technical Information

Power consumption and current draw
12v DC - 250mA
24v DC - 125mA



The EL900 can be used in either fail safe (PTL) or fail secure (PTO) mode. Simply ensure that the screw is positioned in either hole as per the illustration and either function can be achieved. Retain screw for future use (PTL).

General Installation Instructions

- 1 Check with a suitable meter that the regulated power supply or controller being used to operate the strike can provide the required voltage within a +/- 10% tolerance, and that the voltage can be maintained during operation under all circumstances.
Warning: Connection of an incorrect voltage may result in damage not covered by the product warranty.
- 2 Mortise the door frame using the actual body of the strike as the template. Ensure that if the mortise lock being used has a deadlocking snib or trigger, the location of the strike must not allow the snib to enter the 'keep' area.
- 3 Position the strike into the mortise and drill the two fixing holes. A set of fixings are supplied for both timber and metal fixing.
- 4 Ensure that all wiring is correctly terminated and not snagged within the mortise. Install the strike back into the mortise temporarily in this correct position and check that there is no mechanical interference between the door, the lock faceplate and the strike face and extension lip (if fitted) during the closing cycle.
- 5 Check that no side load pressure is being exerted on the strike when the door is closed.
- 6 When all the above 5 points have been checked and are completed, secure the strike using the correct fixings and re-check operation.

Technical Information

This product is guaranteed for a period of 1 year against defects in manufacture, workmanship or materials provided that all electrical and mechanical installation requirements are adhered to as per this instruction sheet.

All third party and consequential claims are expressly excluded from this warranty.

Read all instructions before starting installation

