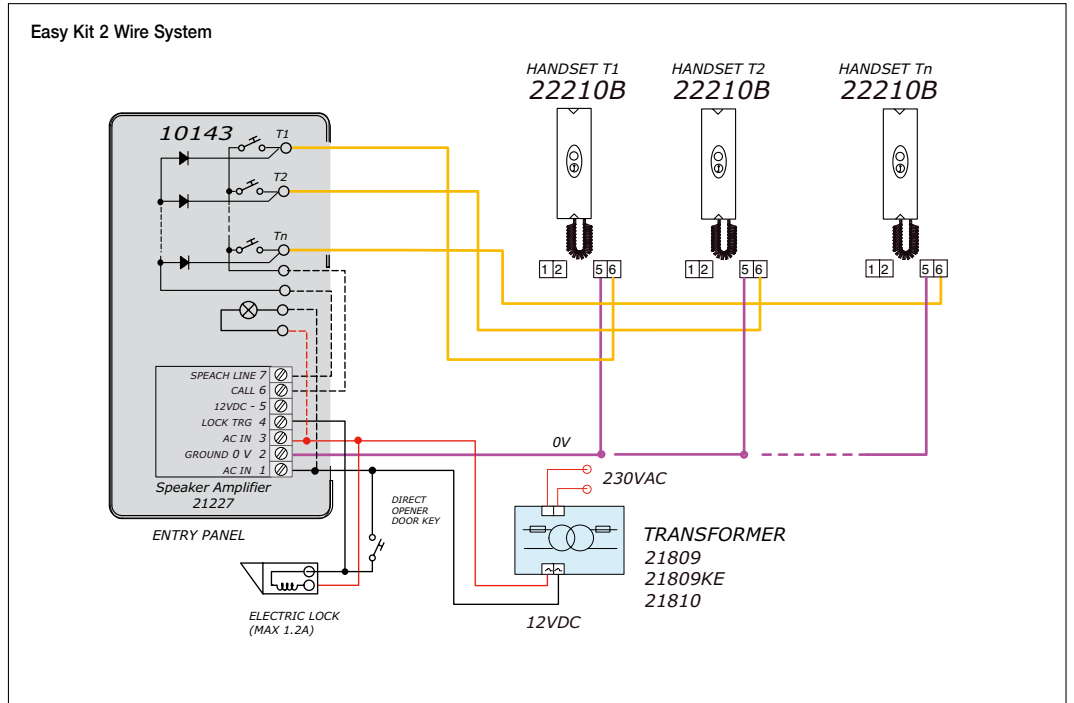


Easy Kit Audio Entry System

2 Wire Systems

The 2 wire systems and 5 wire systems are identical in their performance and features.



Easy Kit - 2 Wire Systems

Code	Description	Panel dimensions (mm)
F66261B	1 Way Flush Mounted kit	110 x 150 x 14 *
F66262B	2 Way Flush Mounted kit	110 x 200 x 14 *
F66263B	3 Way Flush Mounted kit	110 x 200 x 14 *
F66264B	4 Way Flush Mounted kit	110 x 225 x 14 *
F66265B	5 Way Flush Mounted kit	110 x 275 x 14 *
F66266B	6 Way Flush Mounted kit	110 x 275 x 14 *
F66261/SB	1 Way Surface Mounted kit	114 x 153 x 55 **
F66262/SB	2 Way Surface Mounted kit	114 x 203 x 55 **
F66263/SB	3 Way Surface Mounted kit	114 x 203 x 55 **
F66264/SB	4 Way Surface Mounted kit	114 x 228 x 55 **
F66265/SB	5 Way Surface Mounted kit	114 x 278 x 55 **
F66266/SB	6 Way Surface Mounted kit	114 x 278 x 55 **

* The depth of the flush mounted kits is the projection from the wall when fitted

** The dimensions of the surface mounted units are those of the surface mounting box

