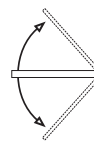
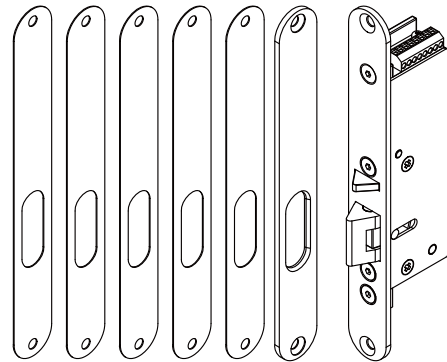


ML-350/360 Series Electric Lock Installation Instructions

Specifications

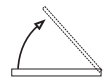
- Operating Voltage: 12 or 24 VDC
- Voltage Tolerance: $\pm 10\%$
- Current Draw: 280mA/12VDC; 140mA/24VDC
- Operating Temperature: $-10\sim 45^{\circ}\text{C}$
- Humidity: 0~95% non-condensing
- Solenoid Testing: Tested to over 250,000 cycles
- Preload: 500 lbs of pressure strength
- Finish: Stainless steel
- Net Weight: ML-350:673g, ML-360:1380g
- Applicable to horizontal or vertical installations
- Locking Mode: Fail-safe locked
- Fire Resistance Test Conducted in Accordance with BSEN 1634-1: 2014 and BSEN 1363-1: 2012 (For ML-350)



Double Swinging Door

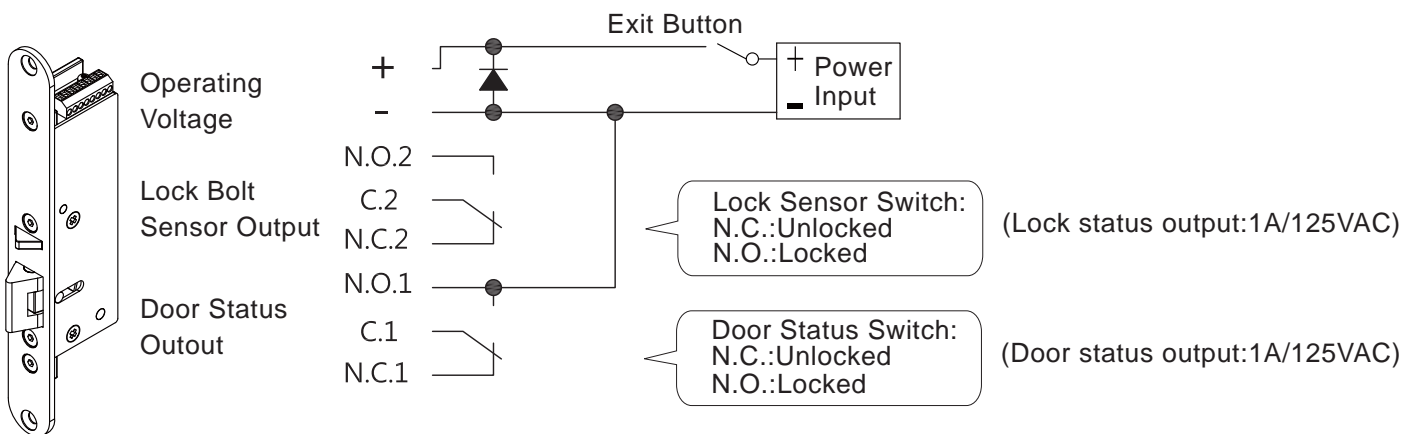


Outswinging Door



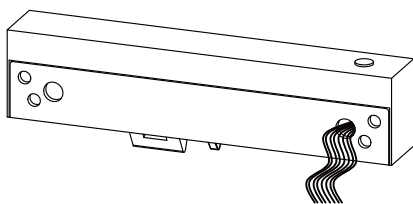
Inswinging Door

Wiring Diagram

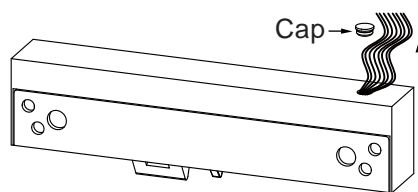


Note: N.O.1 & C.1 negative output

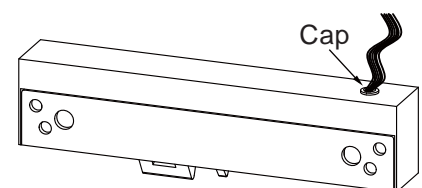
Changing the Wire Position (ML-360)



Change the position of the wires.

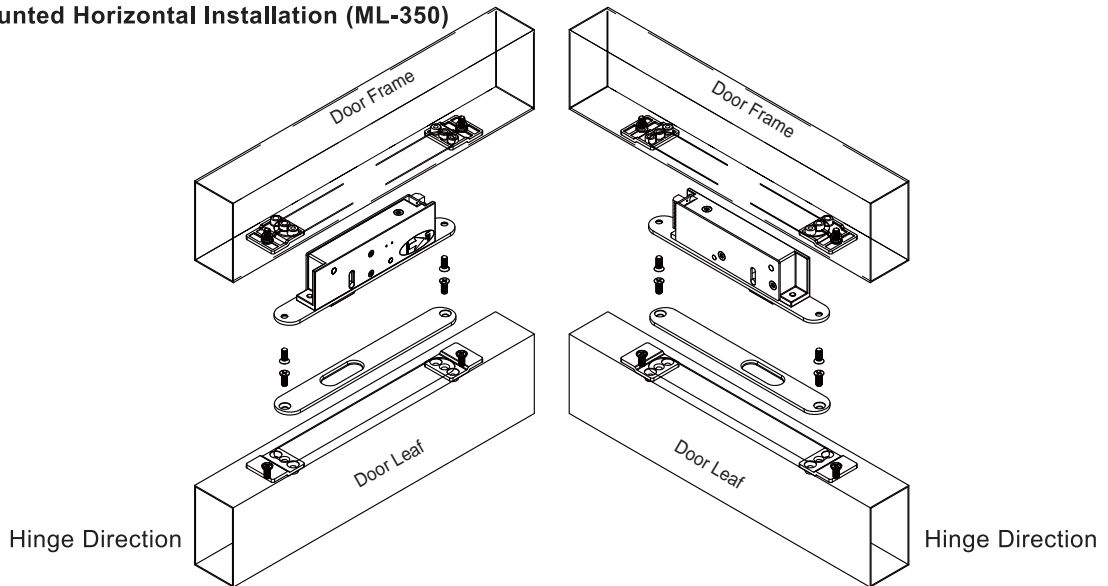


Take off the cap and pull out the wires.

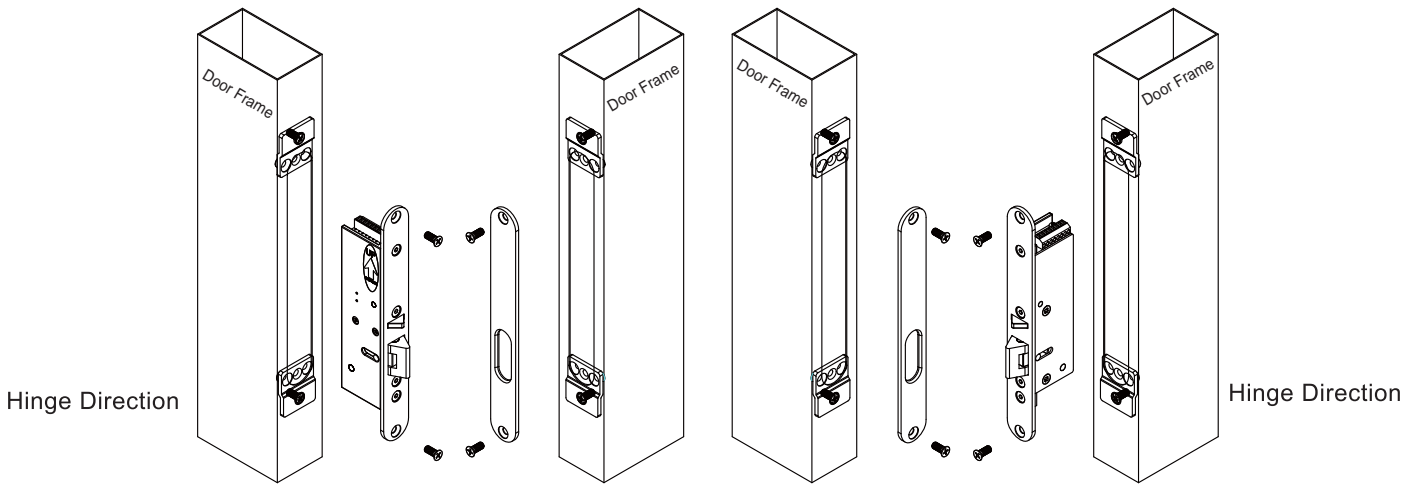


Put the cap back in around the wires for scratch resistance.

Mortise Mounted Horizontal Installation (ML-350)



Mortise Mounted Vertical Installation (ML-350)



Surface Mounted Installation (ML-360)

