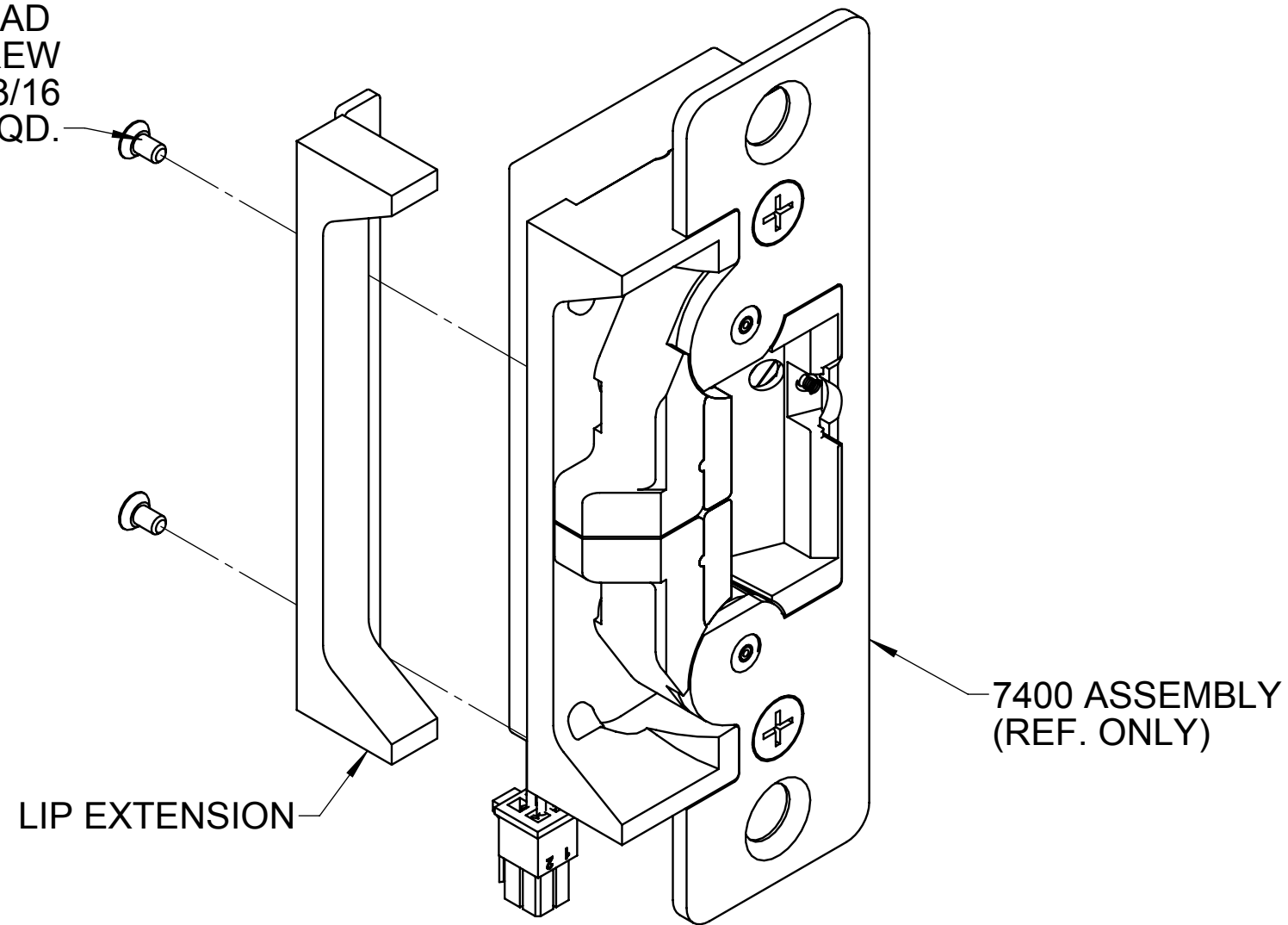


PHIL. FLAT HEAD
SELF TAPPING SCREW
#4-40 x 3/16
2 REQD.



260 Santa Fe Street
Pomona, CA 91767

ASSA ABLOY

Ph: 909-632-2300
Fax: 909-632-2375

74XX ELECTRIC STRIKE LIP EXTENSION ASSEMBLY, INSTALLATION INSTRUCTIONS

80-0180-326

Rev. B

ECN: 11147

Date: 08/01/07

Page 1 of 1

Appvd:

Date: