

AL900 Series Electric Releases



The AL900 series electric releases are an ANSI style door release, complete with stainless steel short or long faceplates for use in metal or timber frame applications. The electric release is designed to work with most leading brand mortice night latch locks.

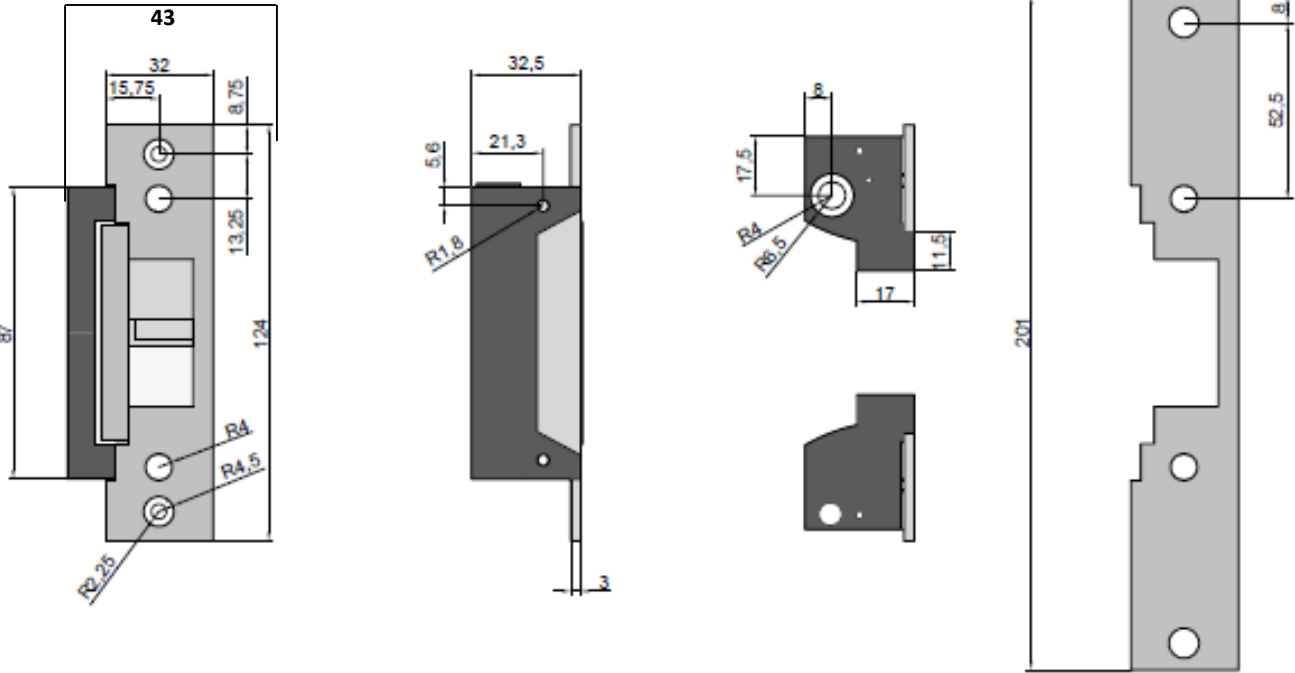
Each release is supplied as fail secure operation but can easily be changed to fail safe by the simple removal of a screw. The releases also have two forms of monitoring, latch (AL900M) or latch with door position versions available (AL900DM). The electric releases can also be set 12V or 24V by simply reconfiguring the wires in a different order.

Features & Benefits

- 1000lbs Holding Force
- Fire rated for use on 60min timber doors
- Easy installation
- 12/24V AC/DC on site settable
- AC Fail Secure only & DC Fail Safe/Fail Secure selectable
- Long and short faceplates are included
- Easy replacement for most leading brand ANSI electric releases
- Supplied with 250mm of cable
- 10, 25 & 50mm extension lips available
- Dimensions – H 201.5 x W 32 x D 33mm

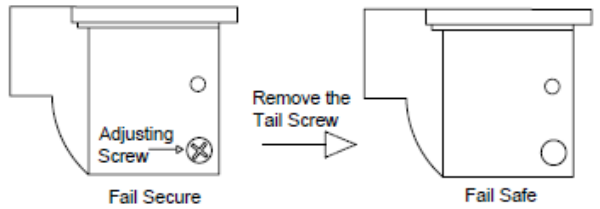
Stock Code	Description
AL900	Fail Locked/Unlocked
AL900M	Fail Locked/Unlocked (Monitored)
AL900DM	Fail Locked/Unlocked (Dual Monitored)
SIN-AL900-1MM	Intumescent for FD60 Fire Doors
AL900-EL10	Extension Lip (10mm)
AL900-EL25	Extension Lip (25mm)
AL900-EL50	Extension Lip (50mm)

AL900 Series Electric Releases



Changing from Fail Secure to Fail Safe

Default Setting is for Fail Secure Mode.



Compatible Mortice Night latches			
Securefast	Alpro	Adams Rite	Assa
SEU511/2/3/4	A5245101/2/3/4	AAR4710/1/2/3/400	SA8761/50/70
SEU771	A5245701/2/3/4	AAR4750/1/2/3/400	
SEU1092			
SM1230			
SLA520			

