

# EASIPROX+



## Standalone Proximity

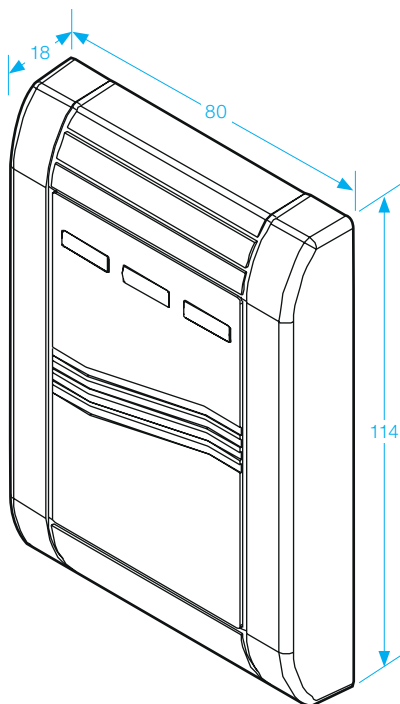
- Operating voltage 12Vdc or 24Vdc
- Black ABS plastic
- Bluetooth
- Internal or external use
- Self-contained
- Read range 5cm
- Fully programmable via master card
- 3 LED displays with audible indication
- Weather resistant - IP67



WEATHER  
RESISTANT  
- IP 67 -



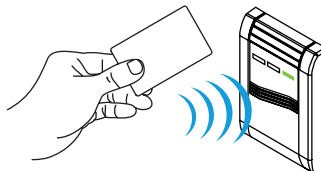
BLUETOOTH



### ADD mode

Read the Master Card once.

1



1. Green LED flash.
2. Reads new cards.
3. Read master card again, back to standby mode.

### Delete mode

Read the Master Card twice.

2

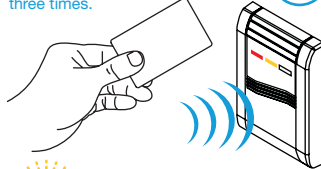


1. Red LED flash.
2. Reads the cards you want to delete.
3. Read master card again, back to standby mode.

### CLEAR mode

Read the Master Card three times.

3

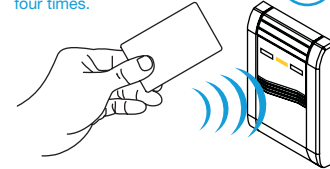


1. Yellow and Red LEDs flash.
2. Read any card (except master card).
3. Memory of all cards is cleared (including master card).

### Relay Strike Time

Read the Master Card four times.

4



1. Each LED flash indicates the opening time is 0.7 seconds.
2. The longest opening time is 42 seconds.

### SPECIFICATION

- Current draw: Pull in: 60mA/12Vdc; Holding: 15mA/12Vdc.
- Output: N.O./N.C/Com.
- Relays rating: 2A@30Vdc., 0.4A@120Vac.