

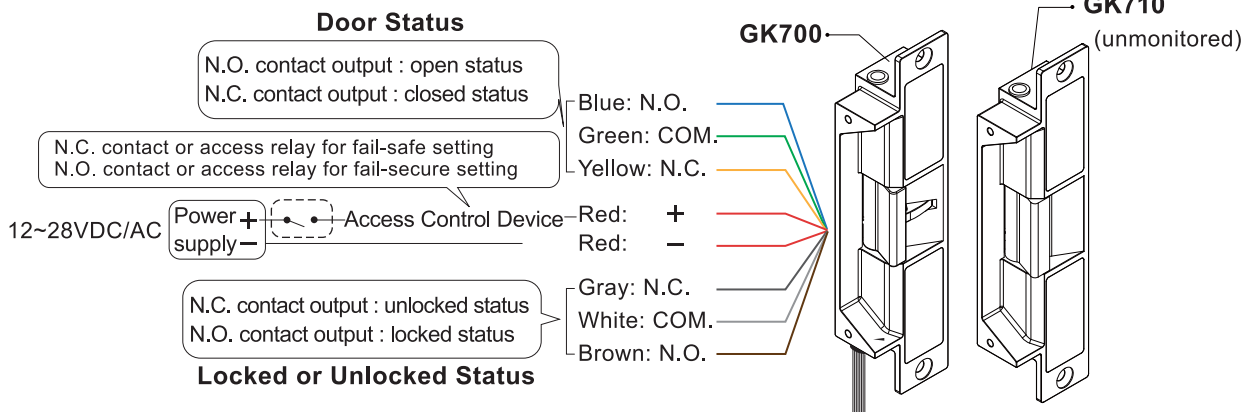
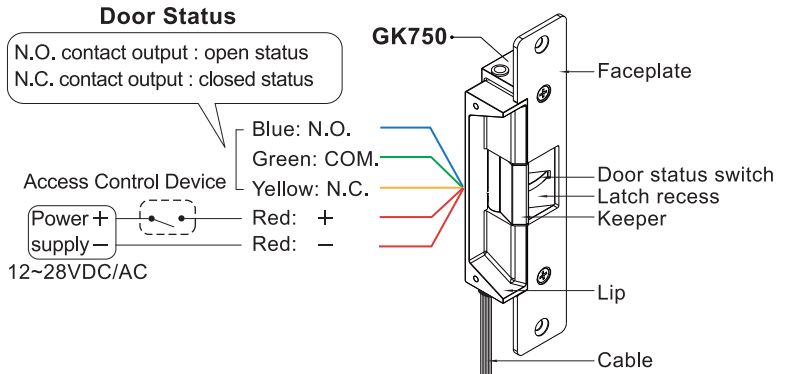
Electric Strike Installation Instruction

GK700 Series

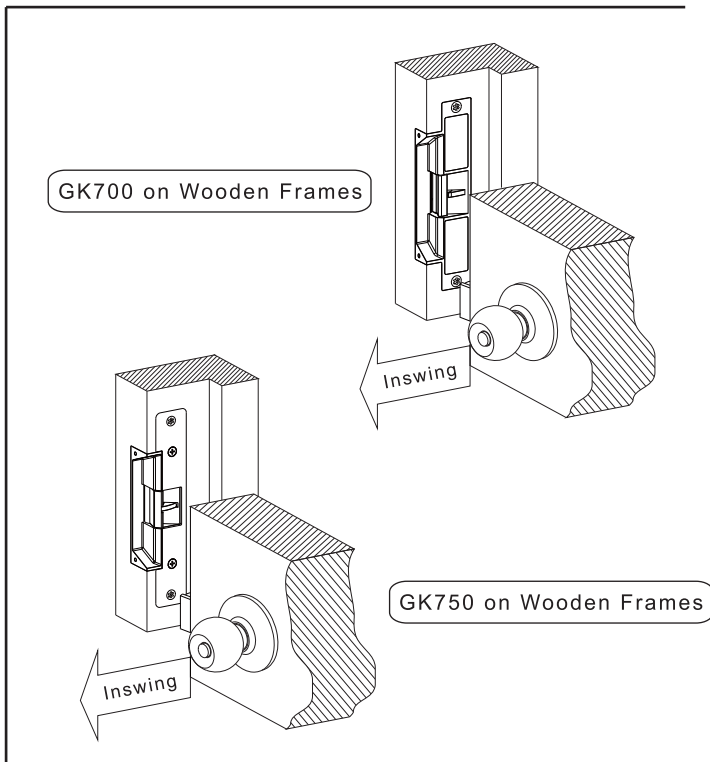
Wiring Diagram GK700 series are polarity free

GK700 series are ANSI sized electric strikes for metal and wooden door frames. They are designed for use with cylindrical locks and can be used with the optional GEM mechanical lock, LS-2000, or GEM electromechanical locks from the ML series. Both electric strikes can easily be configured to either fail-safe or fail-secure modes.

Operating Voltage	12~28VDC/AC
Voltage Tolerance	±15%
Current Draw	230mA/12VDC ; 140mA/28VDC 440mA/12VAC ; 230mA/28VAC
Operating Temperature	-10°C~+45°C
Humidity	0~95%
Jaw Strength	1500 lbs static strength

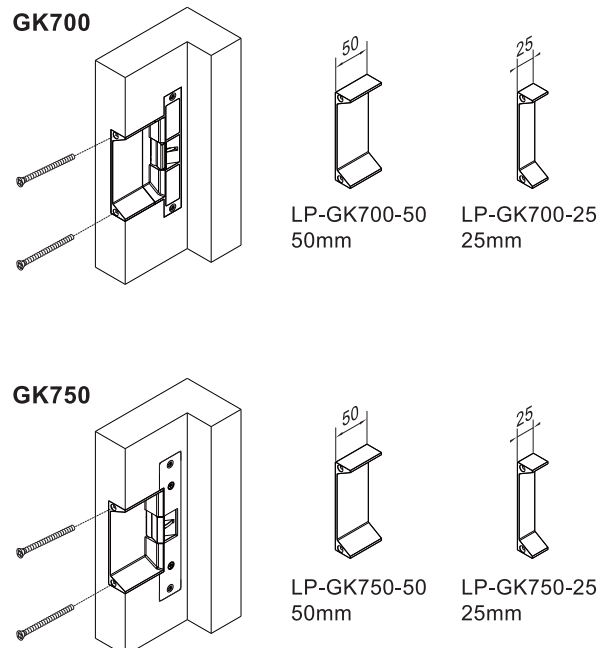


Mortise Mount on Wooden Frames



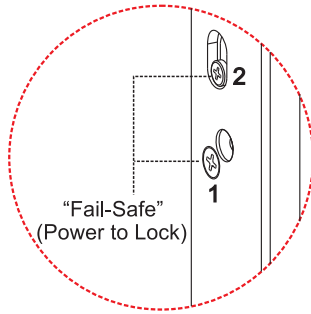
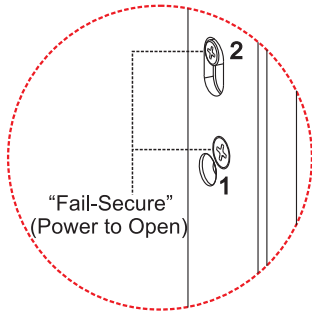
Optional Brackets

Lip extension brackets are recommended for door frames with wide jambs.

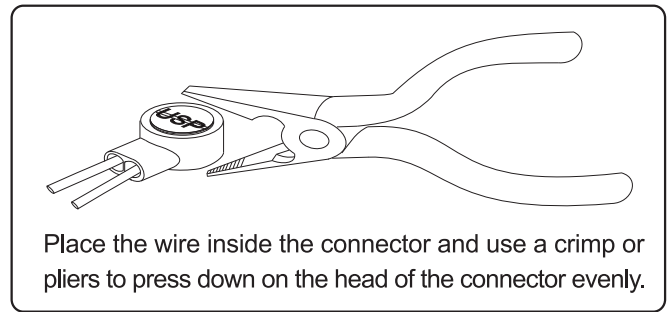


How to Change Version

Loosen screw #1 first. Loosen screw #2 and fix it to the other end.
Fix screw #1 next to its original place.

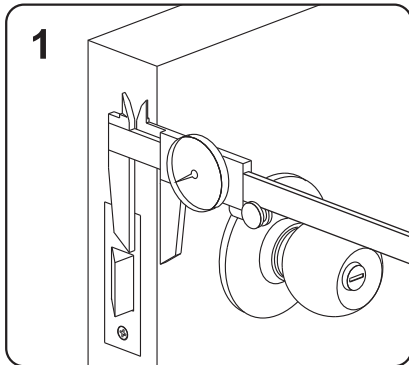


Butt Splice (IDC) Connector

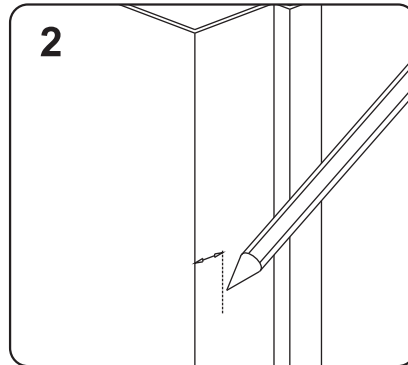


Installation Instructions

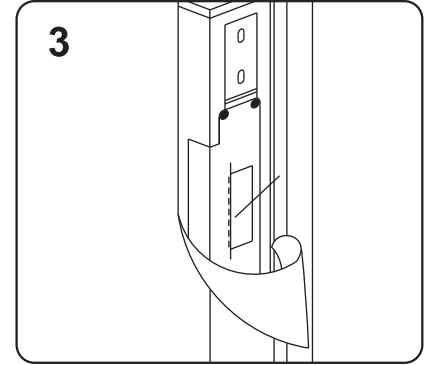
Figures below show GK700 installation steps which are the same as GK750.



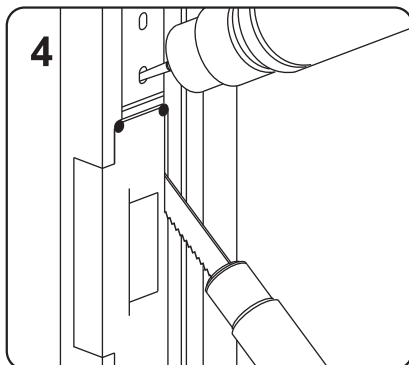
1 Measure the vertical and horizontal position of the latch bolt on the door leaf



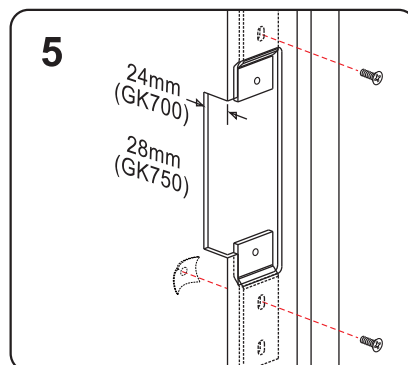
2 Mark the position of the latch bolt on the door frame



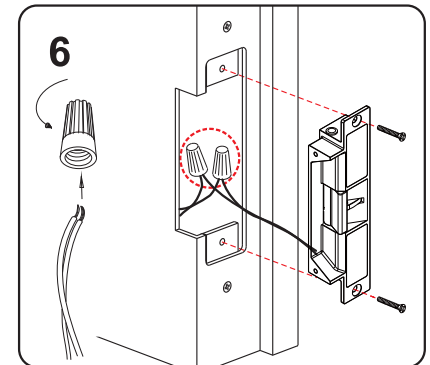
3 Fix the installation template supplied to the marked line



4 Drill the holes and cut the door off as indicated by the template



5 Fix the lugs tightly



6 Connect the power and test the electric strike before finally mounting the unit



Note

Ensure that there is a small space between the latch bolt and keeper when the door is closed and the latch bolt is in its locked position. This will relieve pressure on the solenoid and reduce the risk of failure of opening the door.