



SLIMLINE MAGNETIC LOCK (600LB / 280KG)

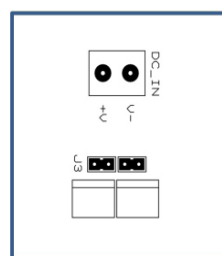
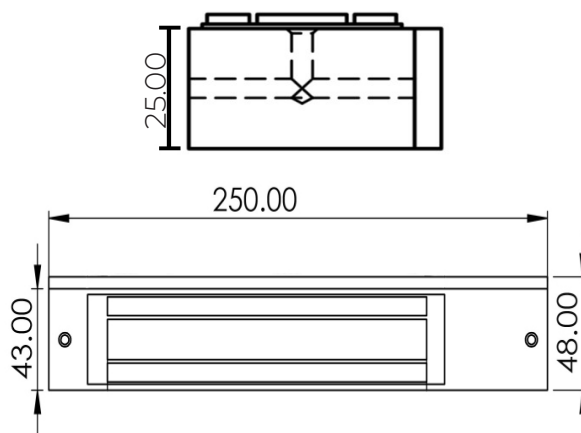
MAGNETIC LOCK

Fire tested range of maglocks and brackets from a market leader in access control.

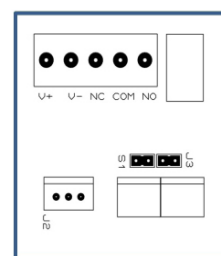
FIRE TESTED to
BSEN1634-1-2014 & BS476:Part22:1987
(30, 60, 90 & 120 min timber door-sets)



ML600 / ML600-M



ML600



ML600-M

SPECIFICATION

ML600 / ML600-M

- 280kgs (600lb) holding force
- Dual voltage 12/24 VDC @ 480/240mA
- +/- 15% voltage tolerance
- Built in surge protection
- Aluminium housing
- Surface mount
- Fail safe operation (power to lock)
- -10° to +50° operating temperature
- Push off release pin on armature (adjustable)

ML600-M

- Monitored
- Voltage free relay contacts

(For Door Status Maglock see ML600-MDS)

DIMENSIONS

ML600 / ML600-M

- 250x48x25 (mm) Maglock (LxWxD)
- 180x38x13 (mm) Armature (LxWxD)
- 1.97kg Boxed
- 1.13kg Unboxed

FEATURES

ML600 / ML600-M

- Fire rated (30, 60, 90 & 120 min timber door set)
- Slimline mini magnet
- Clean and compact design
- No residual magnetism
- Power LED indication on ML600 (Red LED only)
- Status LED indication on ML600-M (Red to Green)

Suitable Brackets/Housings:

- BK600ZL (ZL bracket)
- BK600-F-L/AB (Architectural F/ZL)
- AB600ZL-DC (Architectural ZL)
- GD600ZL (Glass Door ZL)

INWARD

- BK600L (L Bracket)
- AB600CL (Architectural L)
- ADJ600-L (Highly adjustable L)
- AH600 (Required for Fire Doors)
- BK600U (Glass door bracket)

OUTWARD

CONTENTS

ML600 / ML600-M

- Slimline mini magnet (600lb)
- Armature plate
- 600GB fixing kit
- Instructions
- Armature fixing template

OTHER PRODUCTS

EBNT/TF-1



120ISM-1



BK600-F-L/AB



DU-GB/PTE



Manufactured by a BSIA Member