

# KP-500

## Combined Proximity and Keypad Access

- Operating voltage 12Vdc
- Die-cast metal
- Allows up to 1000+1 proximity cards, tokens and PIN's
- Backlit keypad
- 2 LED displays



WEATHER RESISTANT  
- IP 65 -



VANDAL RESISTANT



OPTIONS

STD-PC



STD-PCPS



KT-10BC



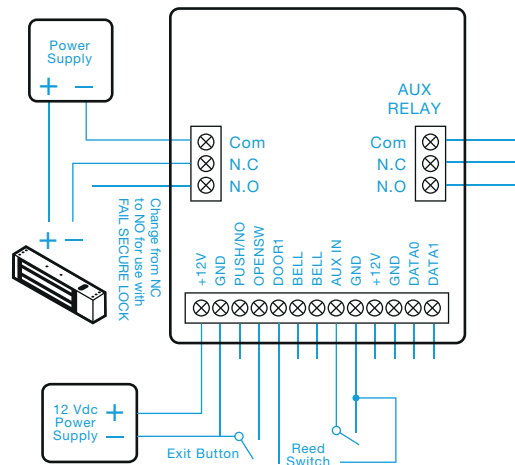
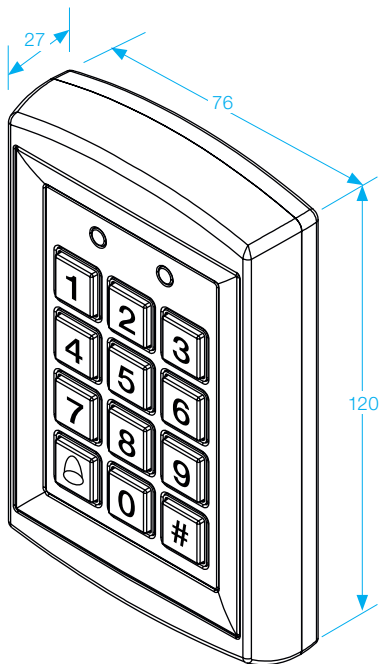
KT-15EM



KT-16



621-11



- Open SW - GND: Exit button connection (Button must be N/O going closed).
- Aux IN - GND: A N/O going closed input that activates the aux relay and sounds an internal alarm when connection made.
- Door1 - GND: Reed switch connections must be N/C when the door is closed. If the door is left open an internal alarm will sound when the door sensor mode is enabled. The time can be adjusted using the alarm delay time settings.
- Bell-Bell: A N/O connection going closed when the bell button is pressed.

SPECIFICATION

- Output: 1 relay COM/NO/NC.
- Programmable 4 digit code.
- RF Frequency EM 125 KHz.
- Relay strike time 01~99 seconds.
- Read range 5cm. (In noise-free environment).

## KP500 USER GUIDE

DEFAULT MASTER CODE :- 881122

### Programme Mode

To access programme mode

**Press #** (a short tone will be heard)

Then enter the default master code **881122** ( The left hand indicator will go off and the right hand indicator will will turn green, 3 beeps indicates this operation has been succesful)

### Adding Cards

**Enter Programme mode** ( Left hand indicator turns off, right hand indicator turns green)

**Press 5** ( 1 beep and left hand indicator goes solid red and right hand indicator stays solid green)

Enter the **location slot**, these start **001** and go to **999** ( 2 beeps)

Then show the card to be added ( 1 beep followed by another 2 beeps)

Then show the next card to be added and so on.

When batches of cards are being added the KP500 will automatically allocate the next location slot to the next card.

A card cannot allocated to a location slot if that location slot already has a card allocated to it.

To exit programme mode press the **#** key twice. ( A flashing left hand red indicator confirms the KP500 is in operational mode.)

## **Adding Pins**

Pin numbers can only be allocated to slots that have cards allocated to them.

To enable pin allocation

**Enter programme mode**, then **press 13**.

**Press #** to exit programming

To add pin numbers make sure the KP500 is in normal operation mode (left hand indicator flashing red) press and **hold # for approx 2 secs** until a double beep is heard.

Then **show the prox card** that has been already been allocated a slot. ( right hand indicator starts to flash green and the left hand stays flashing red.)

If the card has already been allocated a pin then enter that pin if not **enter 0000** (2 beeps will be heard).

Then input the **new 4 digit** pin then enter the new **4 digit pin again** ( 3 beeps will be heard to indicate a successful operation).

The pin number is now stored alongside the prox card, if the prox card is deleted then the corresponding pin will also be deleted.

## **Operating Mode**

The KP500 can set to 2 different operating modes, card **or** pin, or card **plus** pin.

To set card **or** pin,

Enter **programme mode**, then **press 1** (left hand indicator turns solid red, right hand indicator stays solid green).

**Press 0** (2 beeps will heard and the left hand solid red indicator will go off)

**Press #** to exit programming.

To set card **plus** pin

Enter **programme mode**, then **press 1** (left hand indicator turns solid red, right hand indicator stays solid green).

**Press 1 again** (2 beeps will heard and the left hand solid red indicator will go off)

Press **#** to exit programme mode.

### **Deleting Cards**

Cards can be deleted by either using the location or the card.

#### **Deleting cards by location,**

Enter **programme mode**, then **press 7** (left hand indicator turns solid red, right hand indicator stays solid green).

Enter the **location slot** to be deleted ( for example location slot **1** is **001**).

If more than one slot needs to be deleted, enter the next location slot to be deleted, and so on.

Once all the location slots to be deleted have been entered **press #** to return to programme mode ( left hand solid red indicator goes off), **press #** again to exit programme mode.

#### **Deleting using the card,**

Enter **programme mode**, then **press 7** (left hand indicator turns solid red, right hand indicator stays solid green).

Show the card to be deleted a single beep will be heard to acknowledge the card has been deleted, then show the next card to be deleted and so on.

Once all the cards to be deleted have been shown **press #** to return to programme mode ( left hand solid red indicator goes off), **press #** again to exit programme mode.

## **Setting The Relay Strike Time**

Enter **programme mode**, then **press 2** (left hand indicator turns solid red, right hand indicator stays solid green).

Enter the desired **time in seconds** for example **05** for 5 second or **10** for 10 seconds **2** beeps will be heard and the left hand solid red indicator will go off, to indicate a successful operation.

**Press #** to exit programming.

## **Public Pin Settings**

The KP500 comes with a public pin number pre-programmed into the keypad (1234) this will always operate while the keypad is set to card **or** pin if this needs changing to a different number then

Enter **programme mode**, **press 3** (left hand indicator turns solid red, right hand indicator stays solid green).

Enter the **new 4 digit public pin** **2** beeps will be heard and the left hand solid red indicator will go off, to indicate a successful operation.

**Press #** to exit programming.

## **Tamper and Sensor Settings**

To disable or enable the following enter programme mode:-

### **Anti Tamper**

To disable press **4** followed by **0**

To enable press **4** followed by **1**

### **Door Sensor Alarm**

To disable press **8** followed by **0**

To enable press **8** followed by **1**

### **Alarm Delay Time**

**82** followed by the time in

seconds e.g. **05** for 5 seconds.

**Press #** to exit programming.

### **To Delete All Cards And Restore to Factory Settings**

Enter **programme mode**, then press **86** ( 3 beeps will be heard wait approx 5seconds and then another 3 beeps will be heard this indicates the KP500 is wiped clean).

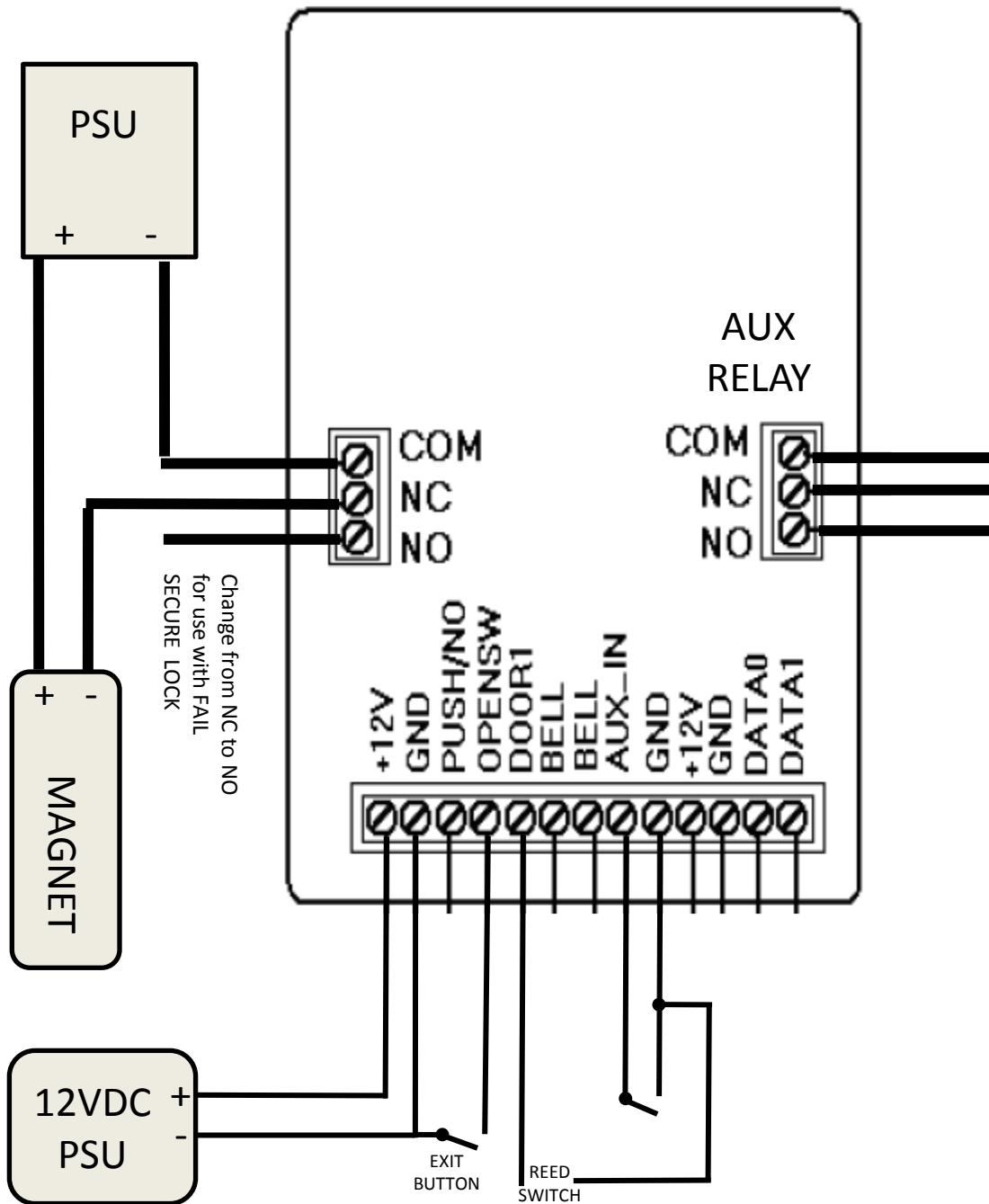
**Press #** to exit programme mode.

### **Change Master Code**

Enter **programme mode**, then **press 0** (left hand indicator turns solid red, right hand indicator stays solid green).

Then enter the **new 6 digit master code** then enter the **new 6 digit master code again**.

**Press #** to exit programming.



**CONNECTIONS**

**OPEN SW – GND :-** EXIT BUTTON CONNECTION ( BUTTON MUST BE N/O GOING CLOSED

**AUX IN – GND :-** A N/O GOING CLOSED INPUT THAT ACTIVATES THE AUX RELAY AND SOUNDS AN INTERNAL ALARM WHEN CONNECTION MADE.

**DOOR1 –GND :-** REED SWITCH CONNECTIONS MUST BE N/C WHEN THE DOOR IS CLOSED IF THE DOOR IS LEFT OPEN AN INTERNAL ALARM WILL SOUND WHEN THE DOOR SENSOR MODE IS ENABLED THE TIME CAN BE ADJUSTED USING THE ALARM DELAY TIME SETTINGS.

**BELL-BELL:-** A N/O CONNECTION GOING CLOSED WHEN THE BELL BUTTON IS PRESSED.

# CARD/LOCATION LOG

LOCATION	CARD/TOKEN NUMBER	NAME
001		
002		
003		
004		
005		
006		
007		
008		
009		
010		
011		
012		
013		
014		
015		
016		
017		
018		
019		
020		
021		
022		
023		
024		
025		
026		
027		
028		
029		